

# NITRODOSE® G2 SERVODOSER™



**The highest level of control  
in liquid nitrogen dosing**

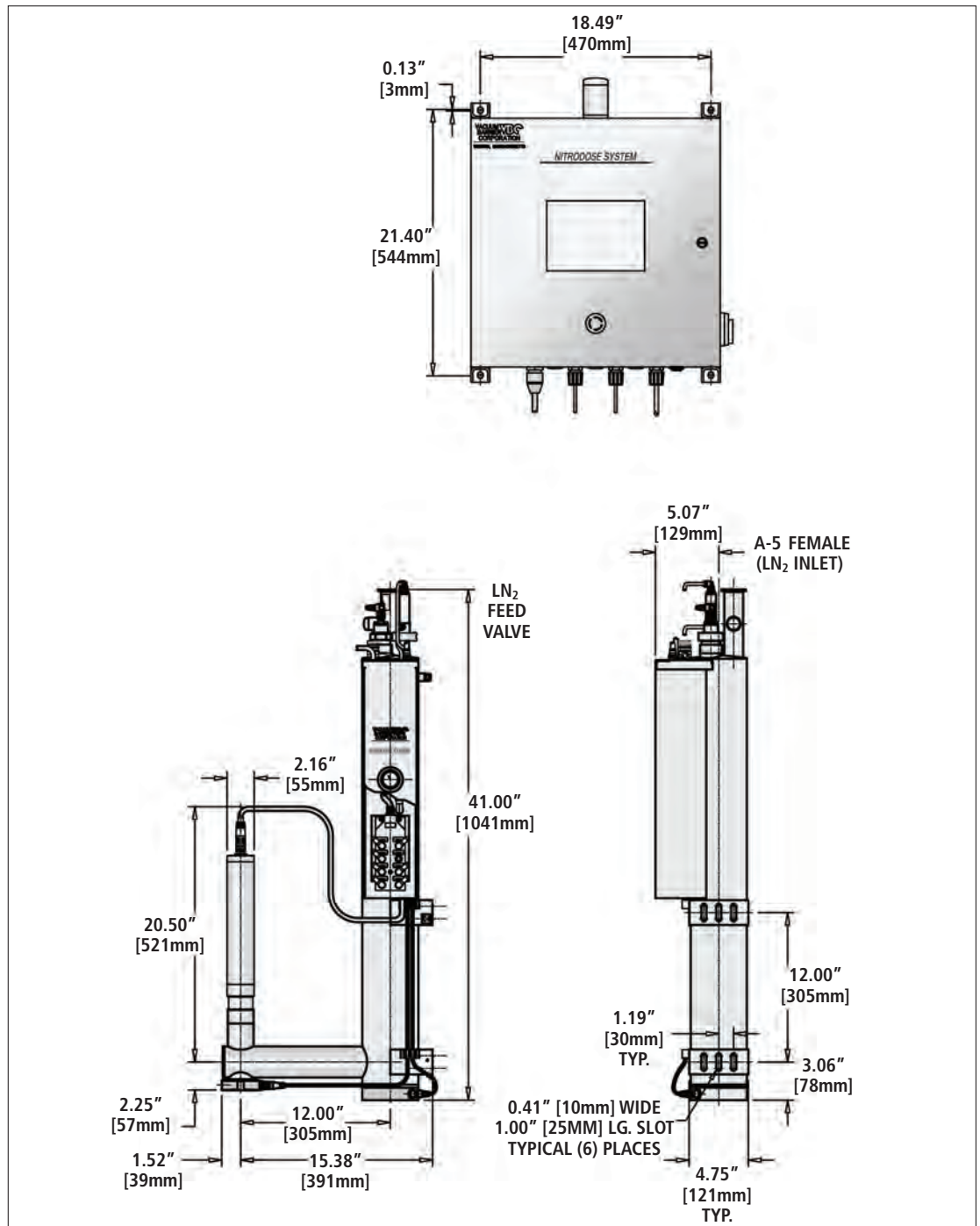
## **Features**

- Programmable motion profile dosing valve
- Adjustable flow rate while discrete dosing
- Precision metering during steady stream without nozzle changes
- Discrete dosing speeds up to 2,000 CPM
- Minimum dose duration 5 ms
- Dosing valve stroke verification
- Exceptional long-life servo actuator
- Accuracy by dose weight of +/- 1%
- Maximum direct LN<sub>2</sub> feed pressure of 125 psi (8.6 bar)
- Self-monitored with multiple alarm outputs
- Automatic synchronization with speed and dose compensation
- Multiple on-board language and recipe storage
- Dosing pressure of 0.3 psi (0.02 bar)
- Rapid warm-up feature
- Optional CIP protection against freeze-ups
- Optional 3-D dose dispersion technology

**VACUUM BARRIER VBC**  
CORPORATION

**Liquid Nitrogen Handling Specialists Since 1958**

# NITRODOSE<sup>®</sup> G2 SERVODOSER<sup>™</sup>



**VACUUM BARRIER VBC**  
CORPORATION

4 Barten Lane, Woburn, MA 01801

Tel 1-781-933-3570

Fax 1-781-932-9428

email: [sales@vacuumbarrier.com](mailto:sales@vacuumbarrier.com)

[www.vacuumbarrier.com](http://www.vacuumbarrier.com)