

MiniDose



Liquid nitrogen dosing system named for its size, operating speed and cost.

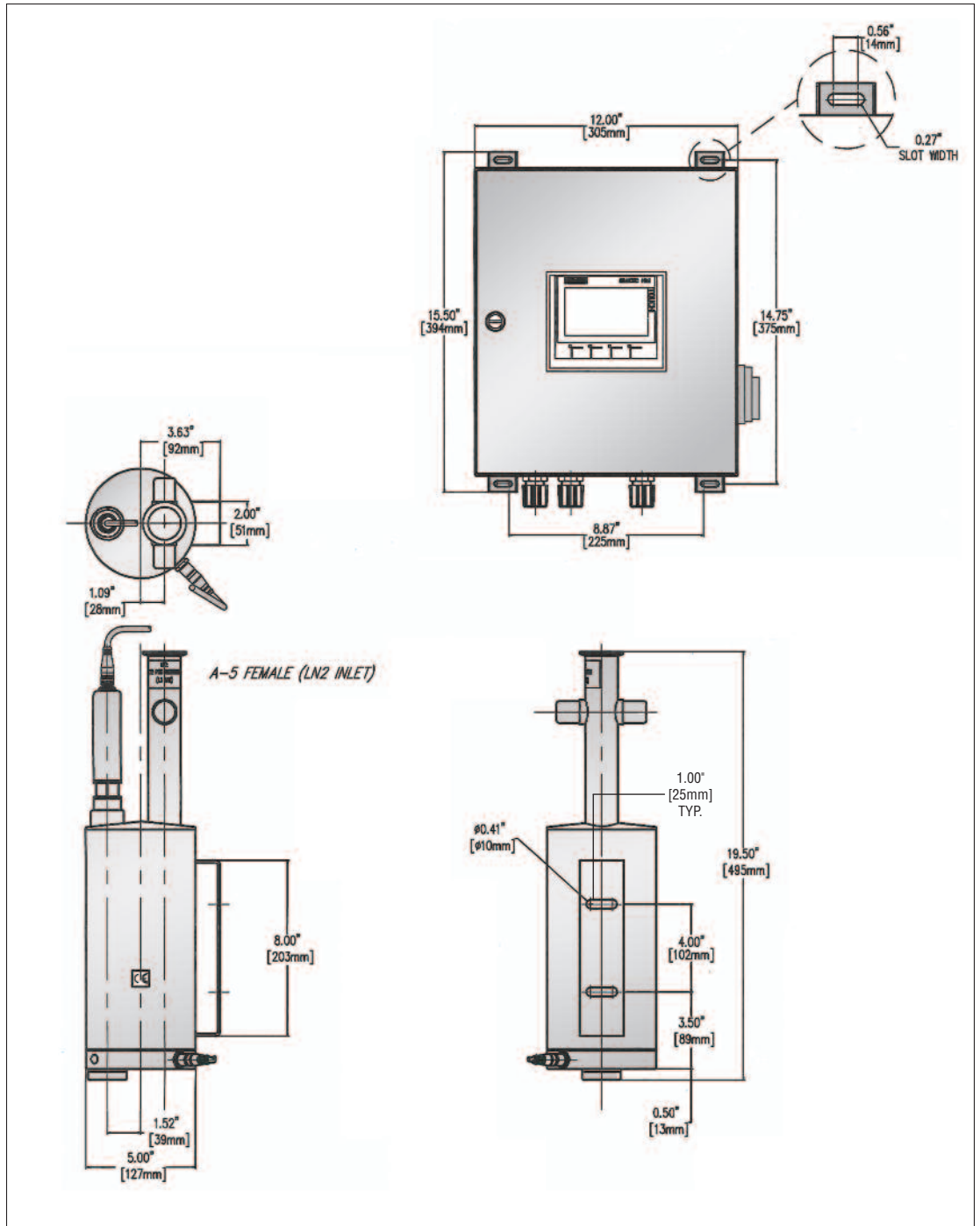
Features

- Discrete dosing up to 200 CPM
- Siemens S7-1200 PLC Platform
- Minimum dose duration, 25ms
- Siemens KTP 400 4" Touchscreen
- NEMA stainless steel 4X PLC control panel
- Automatic synchronization
- No container/no dose function
- Single dose capability for lab testing
- Accurate to +/- 5% dose weight
- Maximum direct LN₂ feed pressure, 22 psi (1.5 bar)
- High cycle life electric dosing valve
- Lowest dosing pressure 0.3 psi (0.02 bar)
- Self-Generating N₂ purge
- Sub-cooled LN₂ to improve dosing accuracy
- All equipment has NEMA quick connects

**VACUUM
BARRIER VBC**
CORPORATION

Liquid Nitrogen Handling Specialists Since 1958

MiniDose



VACUUM BARRIER VBC
CORPORATION

4 Barten Lane, Woburn, MA 01801
Tel 1-781-933-3570
Fax 1-781-932-9428
email: sales@vacuumbarrier.com
www.vacuumbarrier.com