

HS Aseptic



Precisely delivers sterile, low pressure liquid nitrogen for all aseptic filling lines.

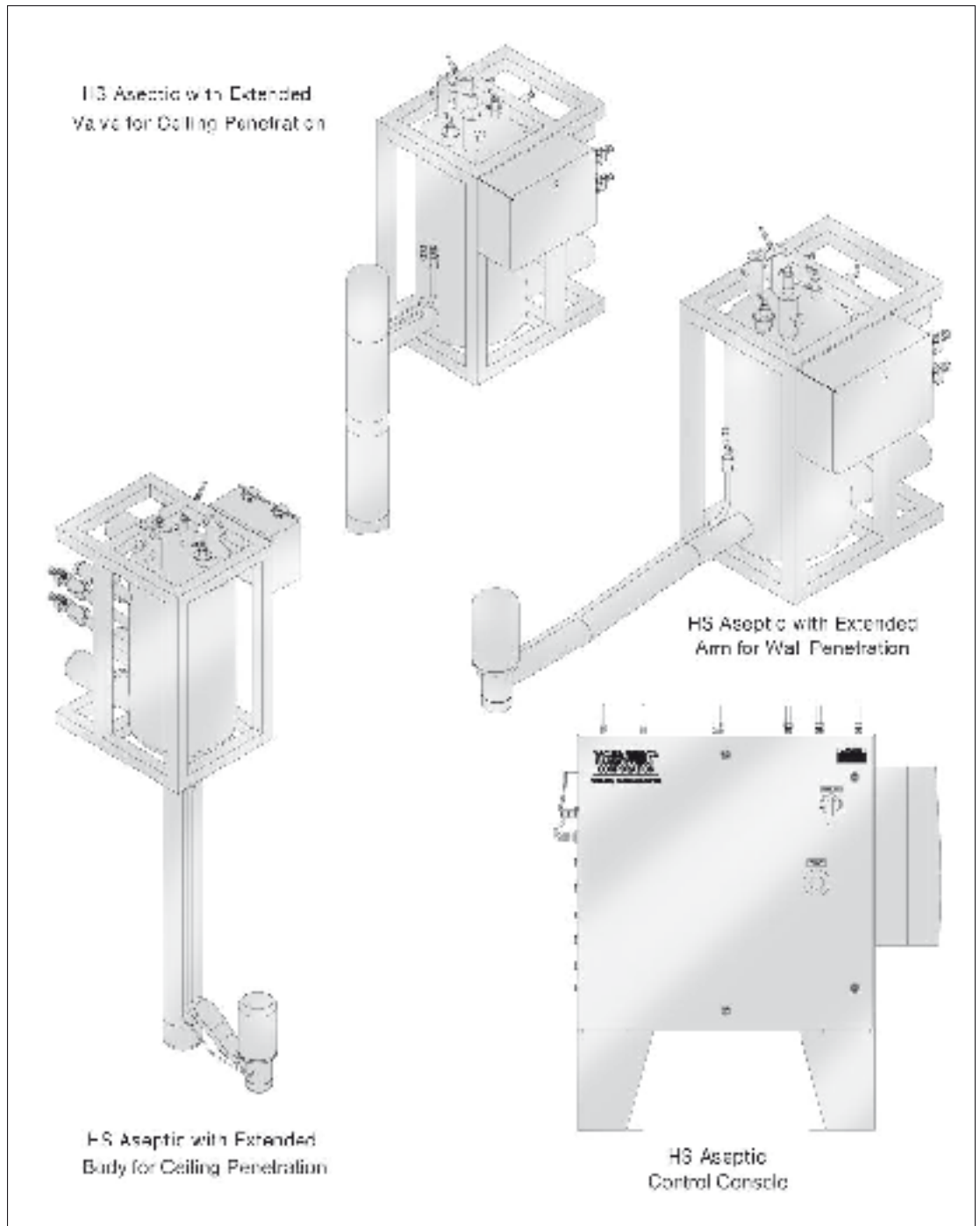
Features

- Discrete dosing speed up to 750 CPM
- Siemens S7-1200 or Allen Bradley ML 1100 PLC platforms
- Minimum dose duration 12 ms
- Smartsync Technology
- Siemens KTP 600 or Allen Bradley Panel View 600 Touchscreen
- Automatic synchronization with speed and dose compensation
- Integrated Ethernet
- Five recipe storage
- Five on-board languages
- Accurate to +/- 3% dose weight
- Maximum direct LN₂ feed pressure, 175 psi (12 bar)
- Self-monitored with alarm outputs
- High cycle life pneumatic dosing valve
- Lowest dosing pressure 0.3 psi (0.02 bar)
- Sub-cooled LN₂ to improve dosing accuracy

VACUUM BARRIER VBC
CORPORATION

Liquid Nitrogen Handling Specialists Since 1958

HS Aseptic



VACUUM BARRIER **VBC**
CORPORATION

4 Barten Lane, Woburn, MA 01801

Tel 1-781-933-3570

Fax 1-781-932-9428

email: sales@vacuumbarrier.com

www.vacuumbarrier.com