

Linerter III

Liquid Nitrogen Injection System

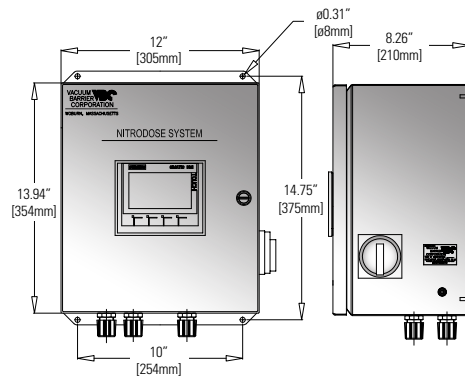
Liquid nitrogen dosing system that delivers moderate pressure liquid nitrogen to greatly reduce oxygen levels in large volume containers.

Features:

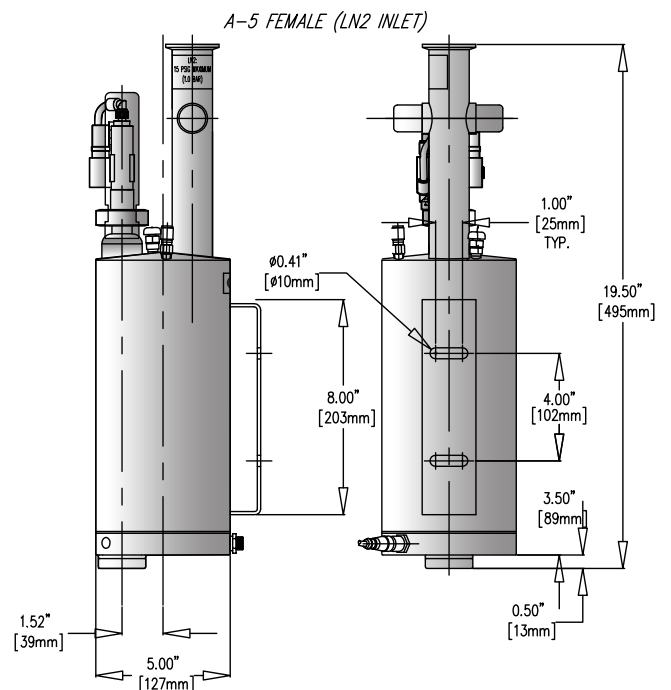
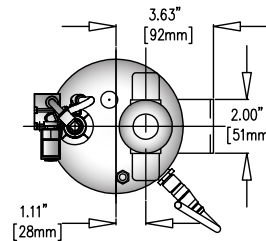
- Accurate to +/- 3% dose weight
- Speed compensation
- Universal language symbols
- NEMA stainless steel 4X PLC control panel
- No container/no dose function

Since 1958

Control panels



Doser views



Features	LINERTER III
Maximum Discrete Dosing Speed (CPM)	500
Siemens PLC	S7-1200
Siemens touchscreen HMI	color (4")
Minimum Dose Duration	12 ms
Real-Time Graphical User Interface (GUI)	std
Continually self-monitored for alarm conditions	std
Maximum direct LN ₂ feed pressure, psi (bar)	9 (0.6)
Required air pressure, psi (bar)	50 (3.44)
Dosing valve	pneumatic
Clean hygienic design	std

4-year warranty on all systems.



Avenue Landas 17, 1480 Saintes, Belgium
T +32 2 354 71 77 | F +32 2 354 72 22
sales@vbseurope.com
vbseurope.com